

FREE POINT DETECTOR ESPECIFICACIONES



FREE POINT DETECTION SYSTEMS

FREE POINT DETECTION SYSTEM

Diameter	1-5/8" (41.3 mm)
Minimum Pipe Diameter	1.75" (44.5 mm)
Maximum Pipe Diameter	5.625" (142.9 mm)
Lenght	133.5" (3.39 m)
Weight	50 Lbs (22.7 Kg)
Maximum Temperature	500°F (260°C)
Maximum Pressure	21,000 PSI

*Note: 1-5/8" HP 30,000 LPC (207 MPa) maximum pressure



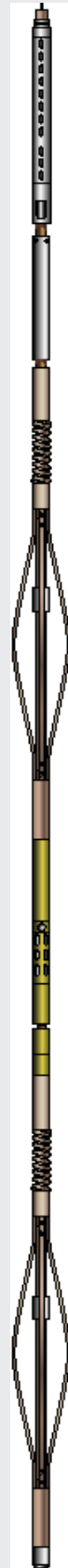
FREE POINT DETECTOR

Part Number	Description	Page
-------------	-------------	------

1-5/8"

AS6-00FP-16	Complete Assembly, Free Point Detector 1-5/8" x 16" stroke *	FP0-26
AS6-00FPM-16	Complete Assembly, Free Point Detector with Magnetic Decentralizers 1-5/8" x 16" stroke *	FP0-26

*Available Options



FREE POINT DETECTOR COMPONENTS

1-5/8" Free Point Detector Assembly

Ref.	Part Number	Description
12	AS6-00FP-16	1-5/8" Free Point Detector Tool with 1-5/8" 16" Slack Joint
1	AS6-0094-16	1-5/8" Free Point Detector Tool with 1-5/8" 16" Slack Joint Complete Assembly
2	AS6-0093	1-5/8" Upper and Lower Bow Spring Centralizers
3	AS6-0092	1-5/8" Sensor Section Complete Assembly
4	AS6-0100	1-5/8" Tapered Bottom Sub
5	AS6-0101	1-5/8" Combination Diode Sub
6	AS6-0098	1-5/8" Back Off Sub
7	1.3750131	3/8" X 5 Ft, 1" & 1-3/8" Back Off Sub
8	AS6-0099	1-5/8" Back Off Botton Sub

OPTIONS:

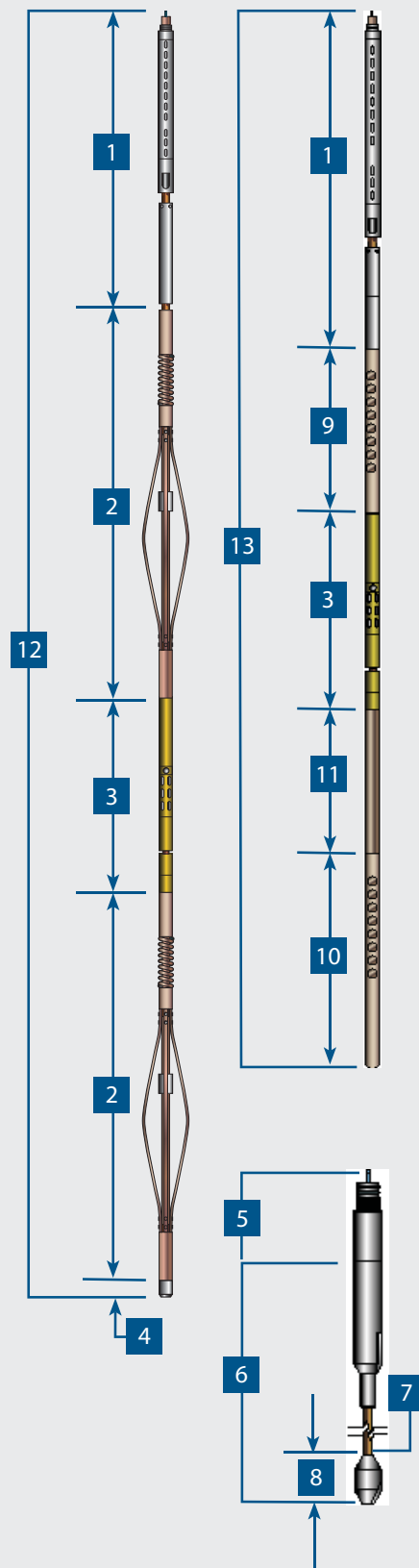
AS6-0092PC	Sensor Section – Pressure Compensation Piston
AS6-0093C	Bow Springs: Coated
AS6-0094-24	Slack Joint: 24"
AS6-0094-36	Slack Joint: 36"

Magnetic De-Centralizer Assembly for 1-5/8" Free Point Detection Tool

Ref.	Part Number	Description
13	AS6-00FPM-16	1-5/8" Free Point Detector Tool 16" Slack Joint and Magnetic Decentralizer
1	AS6-0094-16	1-5/8" Slack Joint Complete Assembly with 16" Stroke
3	AS6-0092	1-5/8" Sensor Section Complete Assembly
5	AS6-0098	1-5/8" Back Off Section Adapter Sub
7	1.3750131	3/8" X 5 pies, 1" y 1-3/8" Back Off Sub
8	AS6-0099	1-5/8" Back Off Botton Sub
9	AS6-0096	1-5/8" Magnetic Decentralizer Upper Assembly
10	AS6-0097	1-5/8" Magnetic Decentralizer Lower Assembly
11	AS6-0098	1-5/8" Magnetic Decentralizer Extension Assembly

OPTIONS:

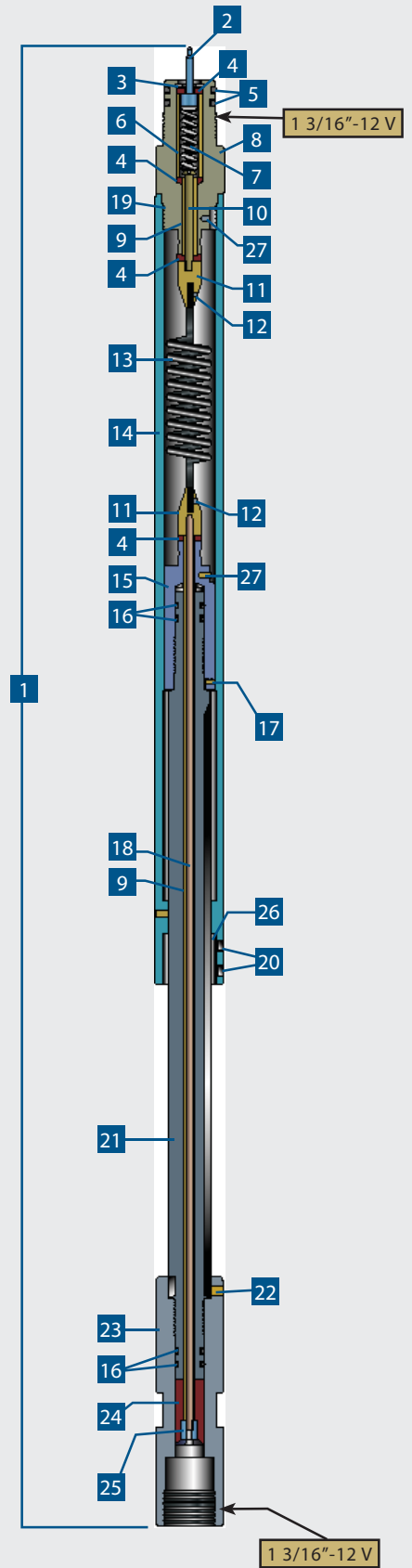
AS6-0092PC	Sensor Section – Pressure Compensation Piston
AS6-0094-24	Slack Joint: 24"
AS6-0094-36	Slack Joint: 36"



FREE POINT DETECTOR COMPONENTS

1-5/8" Slack Joint

Ref.	Part Number	Description
1	AS6-0094-16	1-5/8" Slack Joint Assembly (with 16" stroke)
2	1.0033	Contact Pin
3	HOO-0065	Retention Ring
4	1.0041	Insulation Washer
5	00V-0211-95	O-Ring: 211 V95
6	1.0042	Contact Insulator
7	1.0037	Contact Spring
8	1.625-0092	1-5/8" Slack Joint Upper Section
9	BOO-0032	Teflon Sleeve
10	HOO-0095	Flat Head Screw 10 - 32 x 2"
11	1.375-0139	Slack Joint Conic Contact 1-3/8"
12	HOO-0141	Hex Screw
13	WIR-1040-1.375-16	Coax Electrical Spring
14	1.625-0094-16	1-5/8" Slack Joint Box
15	1.625-0095	1-5/8" Internal Mandril End Connector
16	00V-0111-95	O-Ring: 111 V95
17	HOO-0165	Set Screw, Hex, 1/4 - 20 x 1/4"
18	1.375-0447-16	Contact Rod, 0.187 x 25.500" Length
19	HOO-0098	1/8" x 1" Fastener
20	HOO-0170	Screw, 6 - 32 x 1/4"
21	1.375-0004-16	Slack Joint Lower Mandrel
22	HOO-0091	Hex Screws 1/4 - 20 X 3/16"
23	1.6250091	1-5/8" Slack Joint Lower Mandrel Connector
24	1.375-0029	Female Contact Insulator
25	1.375-0173	Contact Spacer 10 - 32
26	1.375-0185	Slack Joint Set Key
27	H00-0094	Flat Head Screw, 6 - 32 x 3/16"

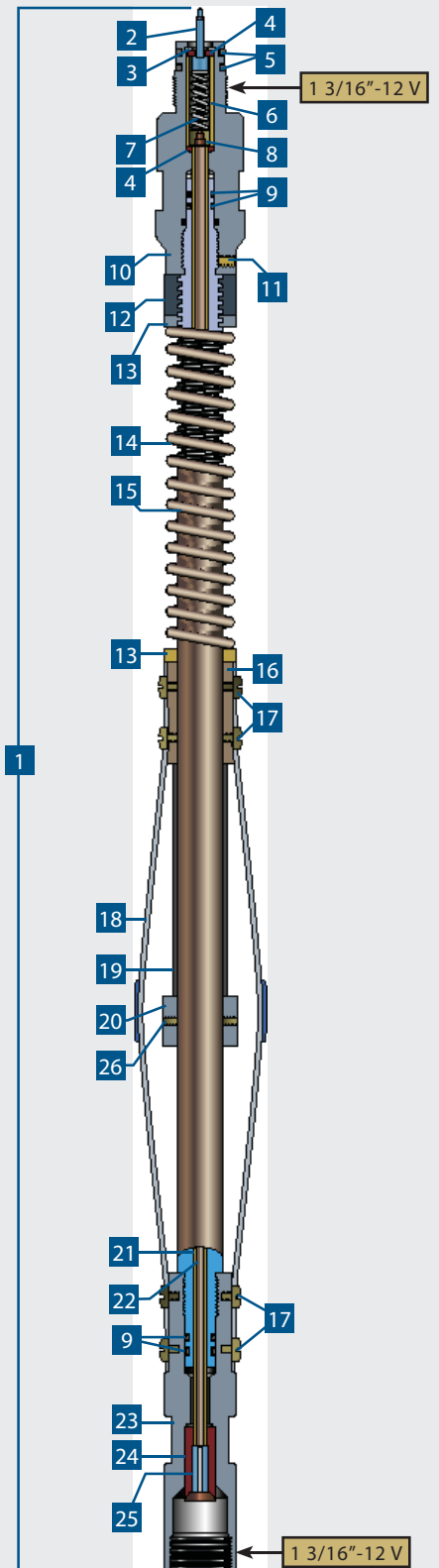


FREE POINT DETECTOR COMPONENTS

1-5/8" Bow Spring Centralizer

Ref.	Part Number	Description
1	AS6-0093	1-5/8" Upper and Lower Bow Spring Centralizer Assy
2	1.-0033	Contact Pin
3	HOO-0065	Retention Ring
4	1.-0041	Insulation Washer
5	00V-0211-95	O-Ring: 211 V95
6	1.-0042	Contact Insulator
7	1.-0037	Contact Spring
8	1.375-0081	Contact Screw 10-32
9	00V-0111-95	O-Ring: 111 V95
10	1.625-0088	1-5/8" Upper Connection Section
11	HOO-0091	Set Screw, Hex 1/4 - 20 x 3/26"
12	1.375-0009	Adjustment Nut
13	1.375-0059	Wawher
14	1.375-0055-4	Compression Spring
15	1.375-0008	1-5/8" Bow Spring Centralizer Mandrel
16	1.625-0090	1 5/8" Bow Spring Centralizer Collar
17	HOO-0048	Screw, 10 - 32 x 3/16"
18	OMF-0002	Bow Spring
	OMF-0002-1	Tungsten Carbide Coated Bow Spring
19	1.375-0011	Adjustment Sleeve
20	1.375-0475	Adjustment Collar
21	BOO-0032	Insulation Sleeve
22	1.375-0441	Contact Bar 10-32 x 26.000" Long
23	1.625-0089	1-5/8" Bow Spring Centralizer Anchor Sub
24	1.375-0029	Contact Insulator
25	1.375-0037	Contact Spacer 10 - 32
26	HOO-0091	Set Screw, Hex 1/4 - 20 x 3/16"
27	KIT-6-0093	Complete Spare Parts Kit*

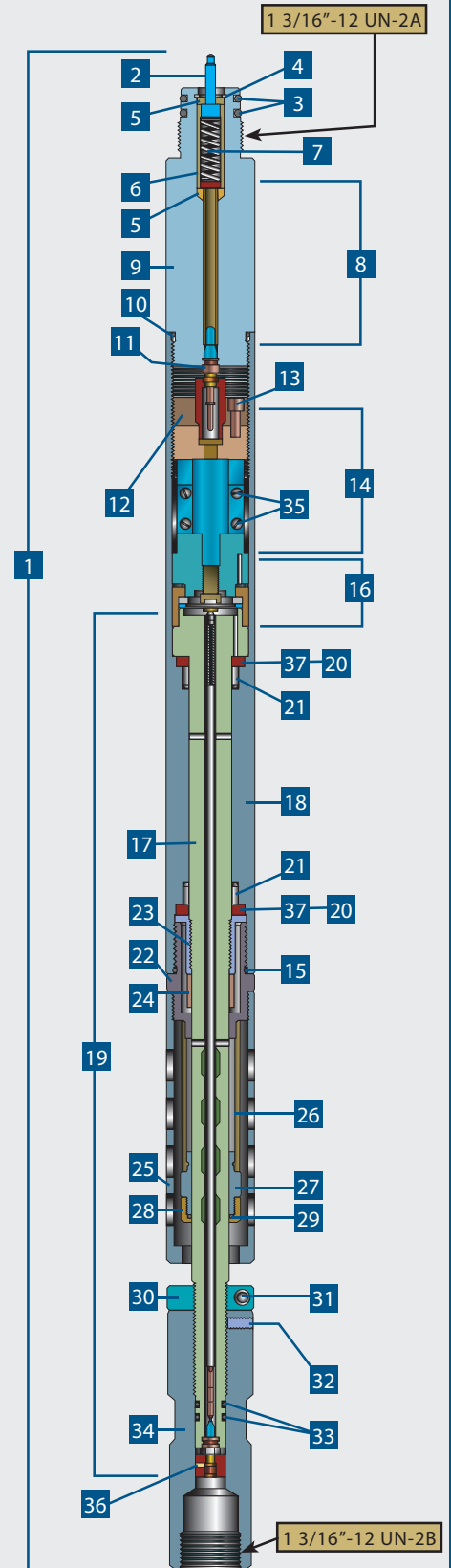
*O-Rings Not Included



FREE POINT DETECTOR COMPONENTS

1-5/8" Free Point Detector Sensor Section

Ref.	Part Number	Description
1	AS6-0092	1-5/8" Sensor Section Complete Assembly
2	1.0033	Contact Pin
3	OOV-0211-95	O-Ring: 211 V95
4	HOO-0065	Retaining Ring
5	1.0041	Insulation Washer
6	1.0042	Contact Insulator
7	1.0037	Contact Spring
8	PSA-032	Contact Section Assembly 10-32
9	1.625-0065	Upper Connection Section
10	00V-0217-95	O-Ring: 217 V95
11	PSA-108	Kemlon Connector Assembly
12	1.625-0067	Coil Adjustment Screw
13	HOO-0335SS	Screw, Hex 10 - 32 x 0.500
14	PSA-094	1-5/8" Sensor Coil Assembly
15	00V-027-95	O-Ring: 027 V95
16	PSA-092	1-5/8" Clutch Assembly
17	1.625-0071	Sensor Mandrel
18	1.625-0070	Sensor Section Box Ends
19	PSA-086	Pre Contact Assembly
20	HOO-0320	Washer (4)
21	HOO-0073	Cushion (2)
22	1.625-0079	Center Section
23	1.625-0077	Adjustment Nut
24	1.625-0078	Adjustment Nut Lock
25	1.625-0075	Joint Sub
26	BOO-0052	Sleeve
27	1.375-0022	Joint Sub Cap
28	1.375-0023	Joint Sub Cover
29	OOV-0016-75	O-Ring: 016 V75
30	1.625-0076	Lock Nut
31	HOO-0496	Screw, Hex 10 - 32 x 3/4"
32	HOO-0109	Grub Screw
33	OOV-0110-95	O-Ring: 110 V95
34	1.625-0080	Sensor Mandrel Sub
35	HOO-0475	Screw 4 - 40"
36	1.375-0031	Insulator
37	HOO-0321	Seals (2)

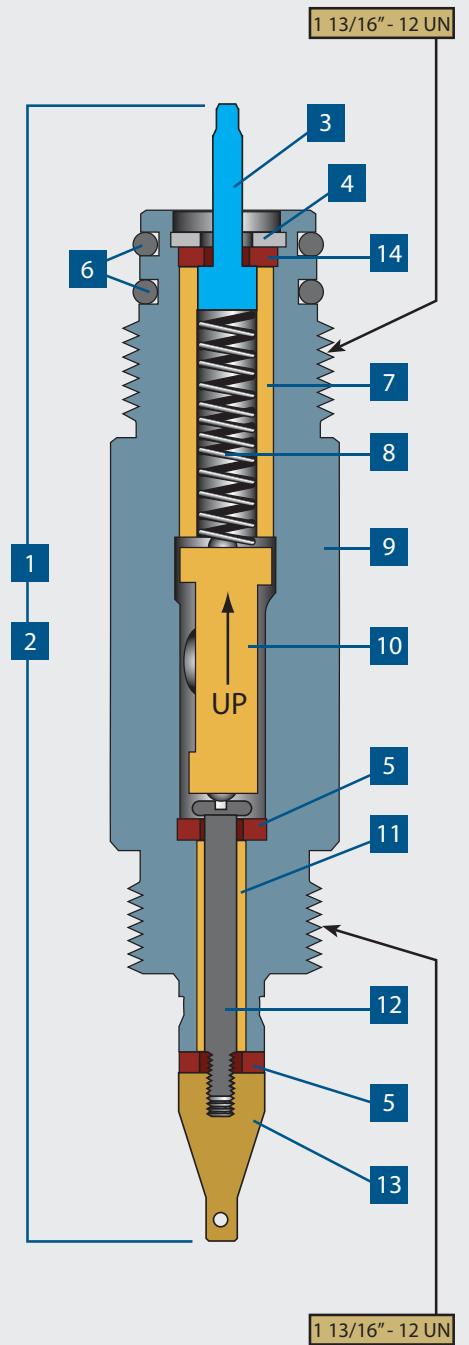


FREE POINT DETECTOR COMPONENTS

1 5/8" Diode Section

Ref.	Part Number	Description
1	AS6-0101	1-5/8" Diode Section Complete Assembly
2	KIT-6-0101	Complete Spare Parts Kit*
3	1.-0033	Contact Pin
4	HOO-0181	Retaining Ring
5	1.-0041	Insulation Washer
6	00V-0211-95	O-Ring: 211 V95
7	1.-0235	Contact Insulator
8	1.-0037	Contact Spring
9	1.625-0104	Diode Section Body
10	PSA-029	Diode Section Assembly
11	BOO-0032	Insulation Cylinder
12	HOO-0096	Contact Rod 10 - 32
13	1.375-0030	Contact Pin 10-32
14	1.-0234	Insulating Washer

*O-Rings Not Included

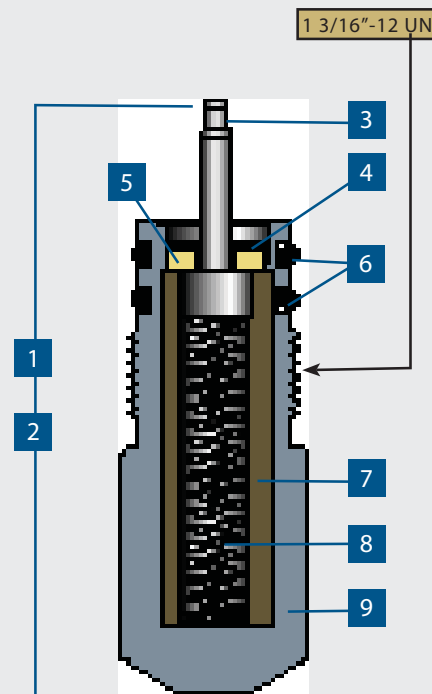


FREE POINT DETECTOR COMPONENTS

1-5/8" Tapered Bottom Sub

Ref.	Part Number	Description
1	AS6-0100	1-5/8" Complete Bottom Sub Assembly
2	KIT-6-0100	Complete Spare Parts Kit*
3	1.-0033	Contact Pin
4	HOO-0065	Retaining Ring
5	1.-0041	Insulating Washer
6	00V-0211-95	O-Ring: 211 V95
7	1.-0042	Contact Insulator
8	1.-0037	Contact Spring
9	1.625-0100	Body, Bottom Sub

*O-Rings Not Included

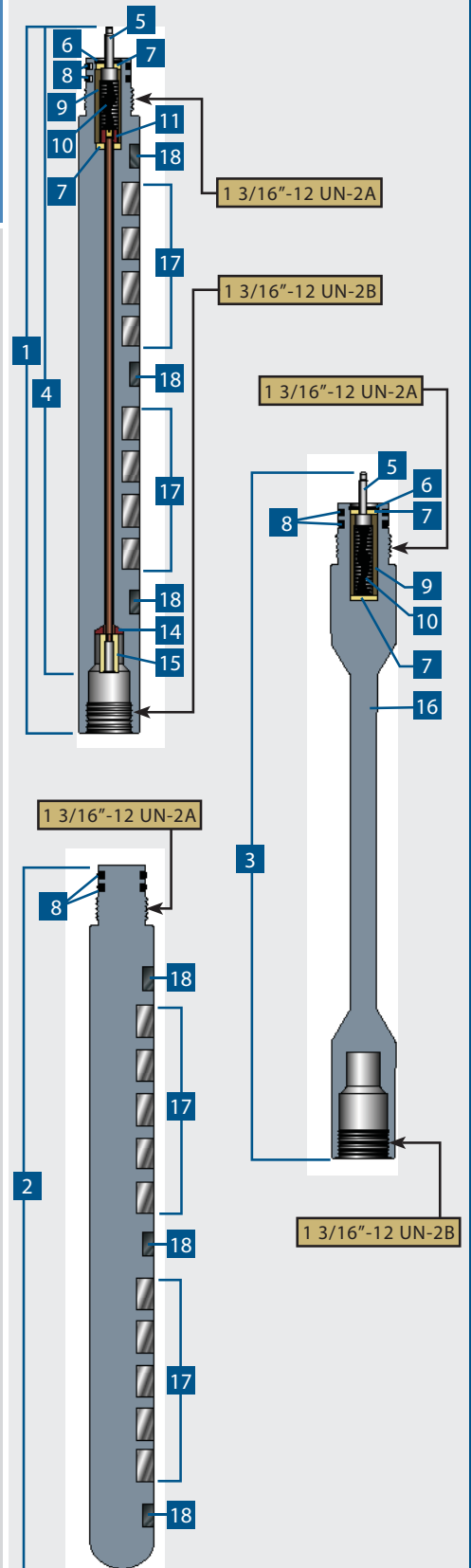


FREE POINT DETECTOR COMPONENTS

1-5/8" Magnetic Decentralizer

Ref.	Part Number	Description
1	AS6-0096	1-5/8" Upper Magnetic Decentralizer
2	AS6-0097	1-5/8" Lower Magnetic Decentralizer
3	AS6-0095	Magnetic Decentralizer Extension Section for 1-5/8" Free Point Detector
4	KIT-4-0085	Complete Spare Parts Kit*
5	1.-0033	Contact Pin
6	HOO-0065	Retention Pin
7	1.-0041	Insulating Washer
8	000-0211	O-Ring: 211
9	1.-0042	Contact Insulator
10	1.-0037	Contacto Spring
11	1.375-0081	Contact Holder 10 - 32
12	1.375-0479	Contact Rod 10 - 32
13	BOO-0032	Teflon Insulating Sleeve
14	1.-0086	Insulating Washer
15	1.-0087A	Contact Holder 10 - 32
16	1.625-0096	Extension Section Body
17	HOO-0279	Magnets
18	HOO-0317	Tungsten Carbide Protector

*O-Rings Not Included



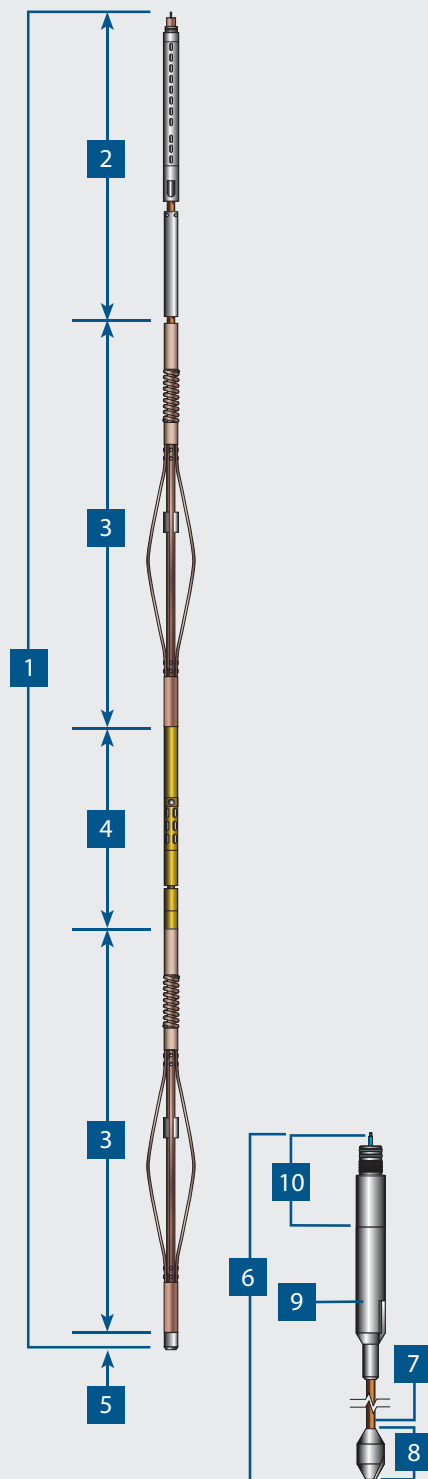
FREE POINT DETECTOR COMPONENTS

1-5/8" High Pressure Free Point Detector Assembly

Ref.	Part Number	Description
1	AS6-00FPHP-36	1-5/8" High Pressure Free Point Detector with 16" Stroke
2	AS6-0094-36HP	1-5/8" Slack Joint, Complete Assembly
3	AS6-0093HP	1-5/8" Upper and Lower Bow Spring Centralizers, Complete Assembly
4	AS6-0092PCHP	1-5/8" Sensor Section, Complete Assembly
5	AS6-0100HP	1-5/8" Tapered Bottom Sub
6	AS6-0104HP	1-5/8" Back Off Jar, HP, Complete Assembly
7	1.3750131	Back Off Jar
8	AS6-0099	Bottom Sub
9	AS6-0098	Adaptor, Back Off Jar
10	AS6-0101HP	1-5/8" Diode Adaptor

OPTIONS:

AS6-0093C Bow Spring Centralizer With Coating



FREE POINT DETECTOR COMPONENTS

1-5/8" Back Off Jar Assembly

Ref.	Part Number	Description
1	AS6-0104	1-5/8" Back Off Jar Assembly (3/8" Rod)
2	AS6-0098	1-5/8" Back Off Jar Adapter (1-3/16"-12 UN Threads)
3	1.375-0131	3/8" Rod for 1-5/8" Back Off Jar (3/8"-16 UNC Threads)
4	1.625-0101	1-5/8" Bottom Nose

